

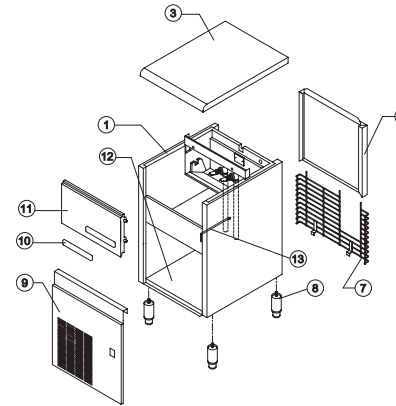
SL 280

LIST OF THE EXPLODED VIEWS

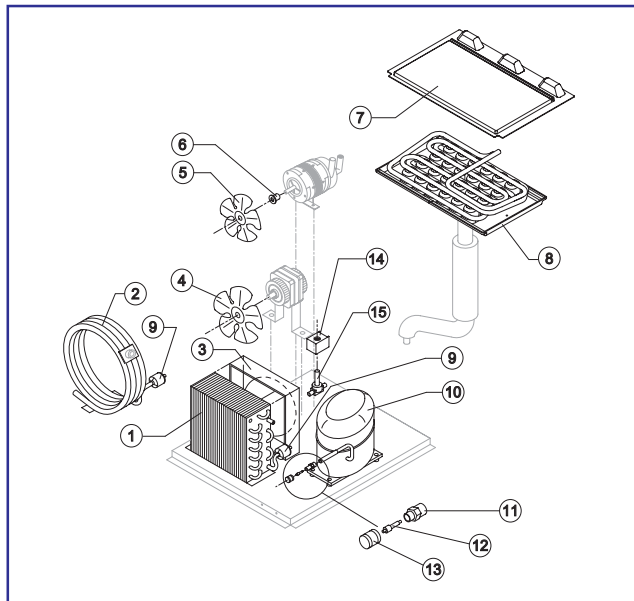
Rev. 6 - 20/06/2011



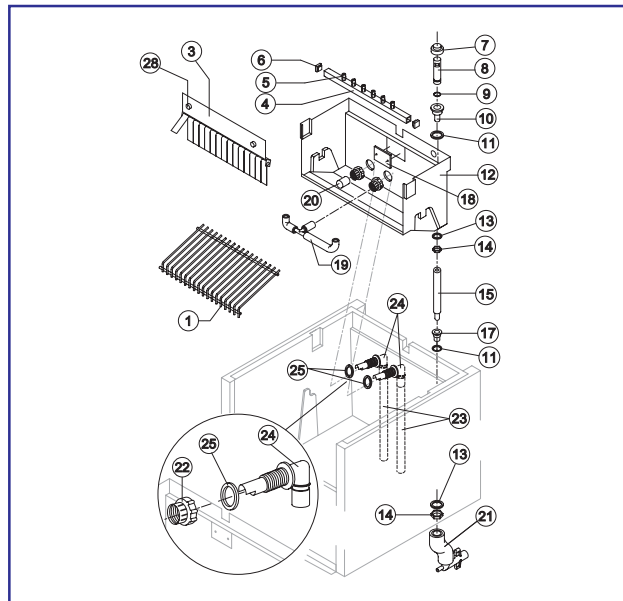
SHELL ASSY



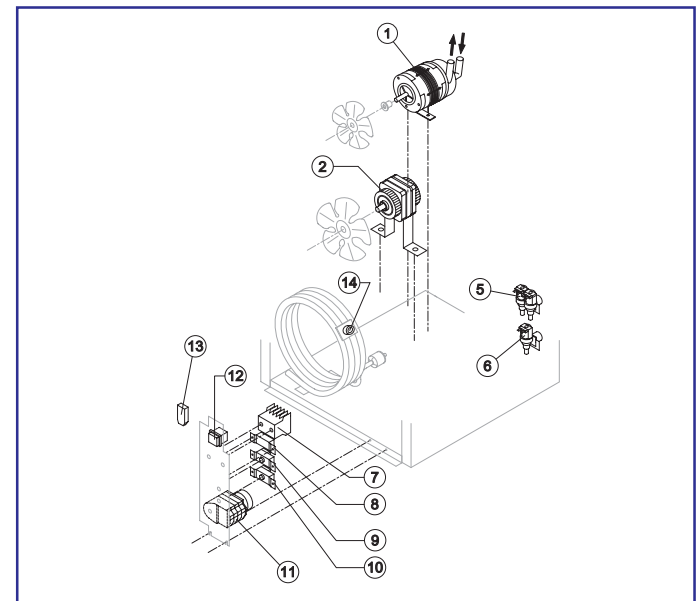
COOLING SYSTEM



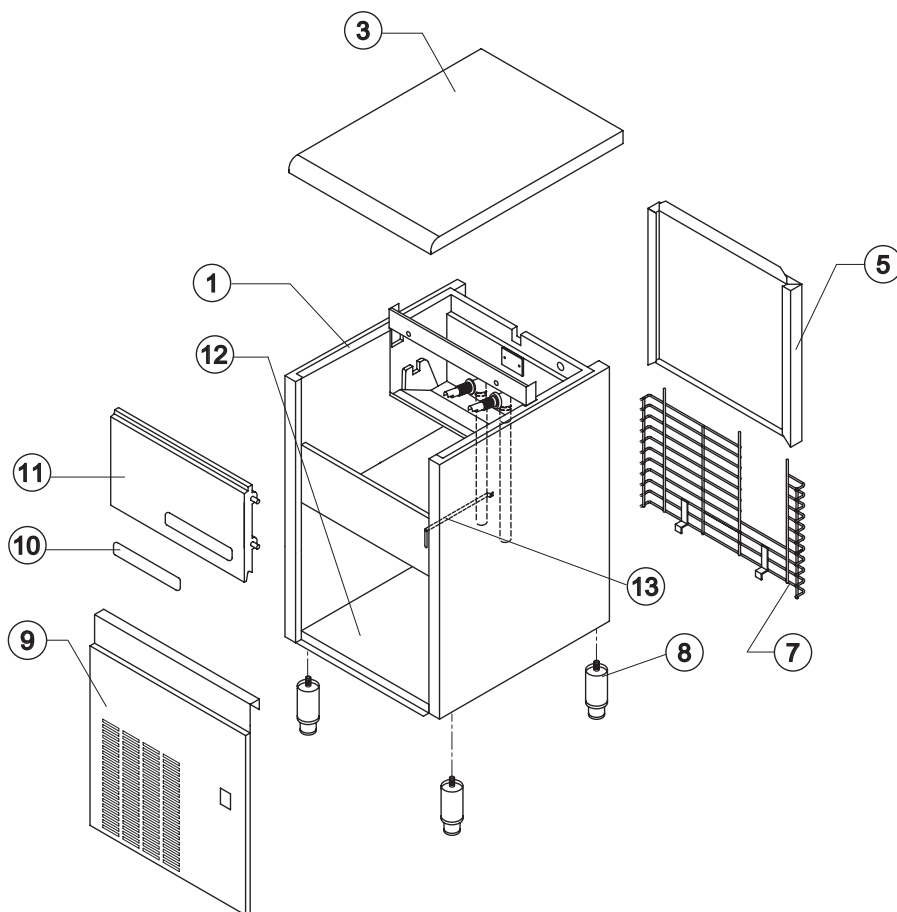
HYDRAULIC CIRCUIT



ELECTRIC PARTS



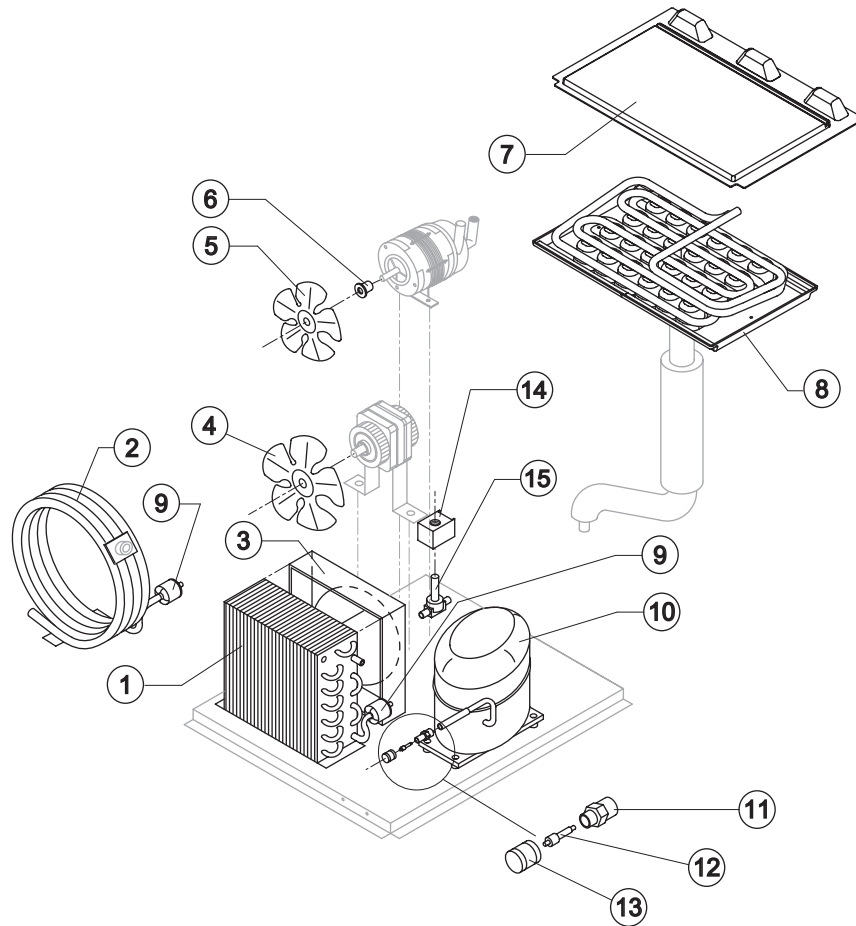
Rev. 6 - 20/06/2011



Ref.	Spare Description	Code
1	Foamed Cabinet Assy	See Table
3	Top Assembly	NC22688
5	Rear Panel Assembly	NC21209
7	Rear Grid	ND12021
8	Adjustable Stainless Steel Foot	N20613
9	Front Grid Panel	N22710
10	Resinate Logo	N24468
11	Door Assembly	NC10362
12	Base Plate	N21281
13	Bulbe-holder Pipe	N20521

Ref. 1 - Foamed Cabinet Assy

Condensation	Code
Aria	NC11086A
Acqua	NC11086W



Ref. 8 - Evaporator

Kind of Cube	Code
17 g. (Standard)	ND10214
32 g.	ND10092
14 g.	ND10126
41 g.	ND10477
60 g.	ND10555

Common Parts

Ref.	Spare Description	Code
5	Sucking Fan	N10213
6	Hub for the Fan Fixing	N10014
7	Evaporator Cover Panel	Current Version N10450
7	Evaporator Cover Panel	Till s/n. 224687 N10058
8	Evaporator	See Table -
9*	Solid Core Drier	N14089
10	Compressor	See Table -
11	Vacuum-Charge Valve Body	N14007
12*	Vacuum-Charge Valve Device	N14005
13*	Vacuum-Charge Valve Plug	N14006
14*	Hot Gas Valve Coil	See Table -
15*	Hot Gas Valve Body	N20409

Parts for Air-Cooled Version Only

Ref.	Spare Description	Code
1	Air Condenser	N20264
3	Air Condenser Conveyor	N10163
4	Sucking Fan	N20031

Parts for Water-Cooled Version Only

Ref.	Spare Description	Code
2	Water Condenser	N14034
4	Sucking Fan	Till s/n. 219960 N10213

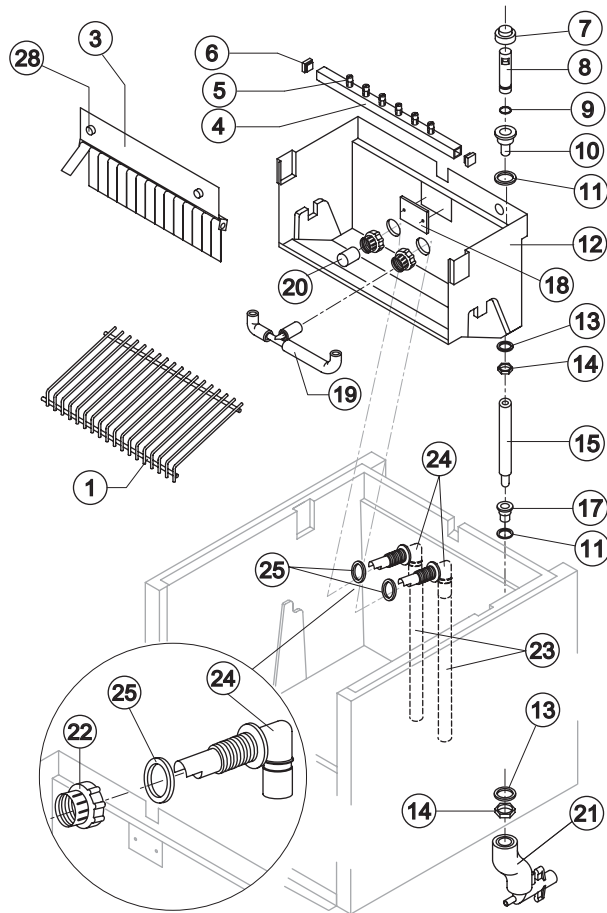
Ref. 10 - Compressor

Tension	Code
220/240V 50 Hz	N23440
220/230V 60 Hz	N23465
110/115V 60 Hz	N23554

Ref. 14* - Hot Gas Valve Coil

Tension	Code
220/240V 50 Hz	N23091
220/230V 60 Hz	N23091
110/115V 60 Hz	N23256

Rev. 6 - 20/06/2011



Common Parts

Ref.	Spare Description	Code
1	Ice Cubes Slide	See Table
3	Flags Support Assy	NC22134
4*	Sprayers Bar Assembly	See Table
5	Sprayer	ND20002
6	Sprayers Bar Plug	N10012
7*	Overflow Cap	N10305
8*	Overflow Pipe	N10133
9*	OR Gasket for Overflow Pipe	N20233
10	Overflow Pipe Nipple	N10471
11	Silicone Gasket	N13006
12	Inner Basin	N10055
13	Semirigid Polyethylene Gasket	N13007
14	Bin Discharge Nut	N10096
15*	Overflow Pipe Assembly	N13155
17	Water Outlet Nipple	N10472
18	Slide Keep Plate	Till s/n. 233769 N10009
19*	Sprayers Bar Pipe Connection Assy	NC13036
20*	Pump Suction Filter	N20005
22	Fitting Locking Ring	N10405
23	Pump Suction/Delivery Pipe	N13142
24	Fitting of the Pump Suction/Delivery Pipes	N10404
25	Gasket for Suction Line/Pump delivery	N13143
28	Fixing Screw	N20009

Ref. 1 - Ice Cube Slide

Kind of Cube	Code
17 g. (Standard)	ND12022
32 g.	ND12033
14 g.	ND12040
41 g.	ND12033
60 g.	ND12084

Ref. 4* - Sprayers Bar Ass.

Kind of Cube	Code
17 g. (Standard)	NC20144
32 g.	NC20157
14 g.	NC20200
41 g.	NC20157
60 g.	NC20941

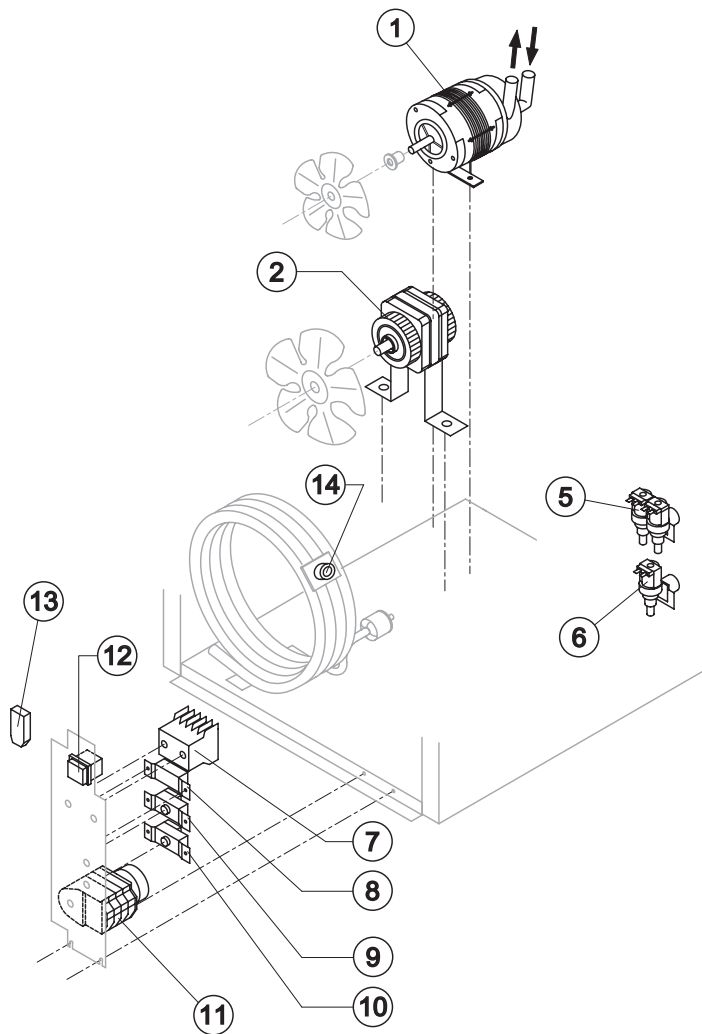
Parts for Air-Cooled Version Only

Ref.	Spare Description	Code
21	Discharges Manifold	NC10006

Parts for Water-Cooled Version Only

Ref.	Spare Description	Code
21	Discharges Manifold	NC26452

Rev. 6 - 20/06/2011



Common Parts

Ref.	Spare Description	Code
1*	Pump Assy	See Table
2*	Fan Motor	See Table
7	Contactor	Only 110V 60 Hz
8*	Condenser Pressure Switch	N23175
9*	Bin Thermostat	NR23005
10*	Evaporator Thermostat	NR23591
11*	Timer	See Table
12*	Green Light Switch (On-Off)	N23327

Parts for Air-Cooled Version Only

Ref.	Spare Description	Code
6*	1 Way- Water Inlet Valve	See Table
13	Anti Radio Interference Filter	Only 220V 50 Hz

Parts for Water-Cooled Version Only

Ref.	Spare Description	Code
5*	2 Ways- Water Inlet Valve	See Table
13	Anti Radio Interference Filter	Only 220V 50 Hz
14*	Safety Thermostat	NC23114

Ref. 1* - Pump Assy

Voltage	Code
220/240V 50 Hz	NC23462
220/230V 60 Hz	NC23462
110/115V 60 Hz	NC23663

Ref. 2* - Fan Motor

Voltage	Air	Water
		Till s/n. 219960
220/240V 50 Hz	N23067	N23029
220/230V 60 Hz	N23681	N23029
110/115V 60 Hz	N23621	N23683

Ref. 5* - 2 Ways- Water Inlet Valve

Voltage	17g/14g cube	32g/41g/60g cube
220/240V 50 Hz	N23157	N23157
220/230V 60 Hz	N23157	N23157
110/115V 60 Hz	N23282	N23788

Ref. 6* - 1 Way- Water Inlet Valve

Voltage	17g/14g cube	32g cube	41g/60g cube
220/240V 50 Hz	N23220	N23220	N23787
220/230V 60 Hz	N23220	N23787	N23787
110/115V 60 Hz	N23281	N23789	N23789

Ref. 11* - Timer

Voltage	18g cube	33g cube	13g cube	42g cube	60g cube
T11	23222	23248	23247	23780	23922
T12	23248	23780	23247	23780	TBD
T13	23259	23786	23258	23786	TBD